

COMPANY PRESENTATION

A tool shop with more than 35 years of tradition

Our motto: “We are part of your way forward”

March 2026



About Us

Our tool shop specialises in designing and manufacturing technically complex injection moulds, and we provide comprehensive and complete services to our customers.

We have over 35 years of experience in the market, producing injection moulds and plastic parts mainly for the automotive industry.

We are a team of highly experienced and qualified people with many years of know-how.

Our company is a member of the Czech industrial holding AIT Group a.s.

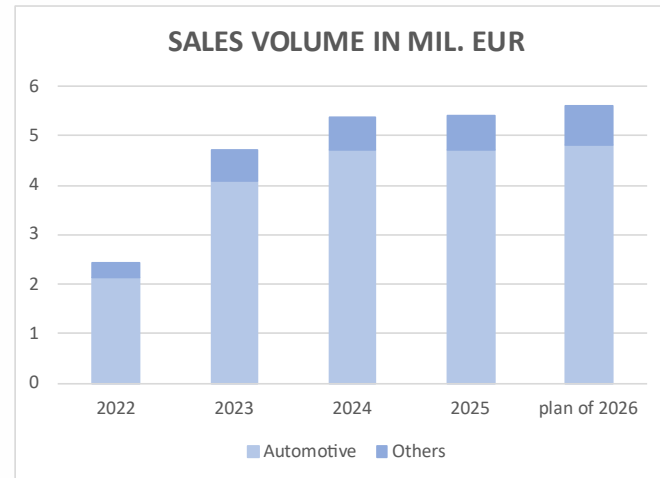
Key Facts & Figures:

Founded in January 1990, member of the AIT Group since 2020.

With a staff of 50, we produce around 80 injection moulds per year.

Production facilities with an area of 2,500 m².

More than 3,000 injection moulds manufactured over the years.



Developing, designing and producing prototype and serial injection moulds.

We offer comprehensive services, including developing and supporting customer R&D, and designing and producing serial and prototype injection moulds. Everything under one roof.

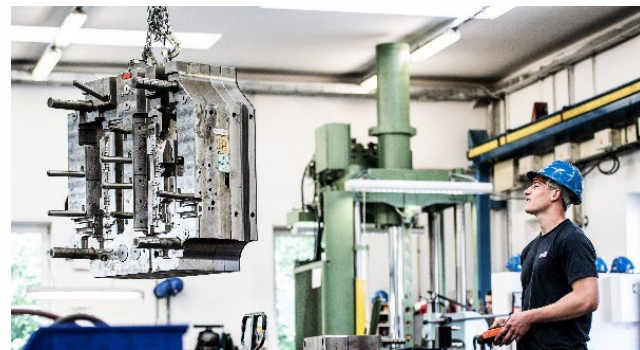
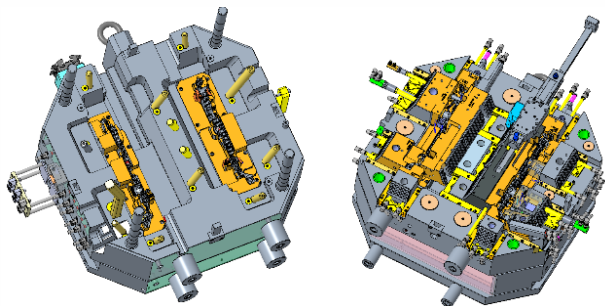
Adjusting, fitting and optimising moulds – implementing design changes based on customer requirements.

Mould-related services, including tool repairs and mould maintenance.

Spare parts production for injection moulds.

Testing and optimising moulds, samples of moulded plastic parts, including measuring reports.

Consulting services – calculations and project management, technical consulting, feasibility studies, proposals for part improvements, tooling and moulding optimisations.



Products and Applications

We generally prefer injection moulds for complex plastic parts, so products with added value.
The more complex the plastic parts are, the more interesting and challenging for us.
We can produce injection moulds with a mould weight of up to eight tonnes.

Applications we have experience with:

Technically complex parts (radiator tanks, thermostats, fuel/air/oil filters, pumps, manifolds, etc.)

Molds with complex mechanisms – demolding inner threads, rotation cores

Visible parts – exterior and interior, headlights

Overmolding – parts with overmolded components

Molds for 2K and 3K injection molding

High-temperature molds – application of PPS, PPA materials, materials with up to 60% glass fibers

Welded parts – vibration and ultrasonic welding of plastics, welding fixtures

GIT and Mucell technologies

Replacing metal and casted parts with injected plastic parts

MIM technology (metal injection molding)



Competitive Advantages

One of our top priorities is continuous development and innovation following current automotive trends and strategies.

We strive to be a strategic supplier of moulds and parts for our customers.

We have over 35 years of experience together with competent and highly experienced staff with many years of know-how.

We help our customers win projects through smart solutions and R&D – supporting customer plastic-part R&D.

Technical support for part design, process optimisation, feasibility studies, potential extension of tool lifetime, cycle-time reduction, proposals for tooling and moulding optimisations.

Reverse engineering possibilities. 3D printing of prototype plastic and metal parts (conformed cooling).

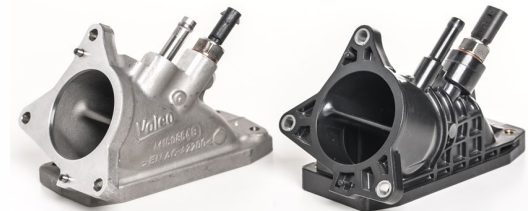
Experience with the application of special materials, special alloys, high-thermal-conductivity materials, etc.

Moulds can also be produced in China, where we have our own team – such moulds are designed in cooperation with our staff in the Czech Republic and according to customer standards. Tool optimisation and correction are performed in our company.

Experience with deliveries to third countries, for example the USA, Canada, India, Mexico, Brazil, China, etc.

The replacement of metal or cast machined parts with injected plastic parts.

Commercial representation in Germany and project coordination for German customers.



Machinery Park

We have a complete and modern machinery park for producing injection moulds.

We use 5-axis machines to ensure higher efficiency, together with HSC machining and automated and robotised workplaces.

We use machinery from premium brands, such as Hermle, DMG, +GF+, etc.

In-house technology:

CNC 5-axis milling machines with palletisation

CNC 5-axis milling machines for graphite electrodes with palletisation

EDM die-sinking machines with palletisation

EDM wire-cutting machines

CMM machines

Spotting press

Laser and TIG welding

Laser-marking machine

Other conventional machines



Quality Management System

Our company has certificates according to ISO 9001, ISO 14001 and ISO 45001.
We are constantly improving our quality management system and all processes.
In-house Wenzel CMM machines, microscope, possibility of reverse engineering.
For mould design, we use PTC Creo CAD software. In production, we use WorkNC 5-axis CAM software.

Company is managed using the Karat ERP system and the xMost MES system.

The standards of 5S and TPM are applied in the production.

We offer the development of an ideal injection mold concept with regard to technological requirements for quality and precision of the molded part, requirements for cost-effective production and required tool life with respect to the expected production volume and mold utilization.

F 1648193 020110100443201 (PRAHE, 0710, 020110)

ZERTIFIKAT ♦ CERTIFICATE ♦ 认证证书 ♦ CERTIFICADO ♦ CERTIFICAT



CERTIFICATE

Management Systems Certification Body No. 3053
TUV SUD Czech s.r.o.

confirms that



CZ-SKD Solutions a.s.

Husova 549
CZ – 687 71 Bojkovice
Ident. No.: 06597211

has established and applies
a quality management system for

development and manufacturing of injection moulds,
stamping tools, assembly and checking jigs

Based on the audit performed, Report No. 16.223.063
compliance with the requirements of the standard
has been proved according to

ISO 9001:2015

This certificate is valid from 04.09.2024 until 01.09.2027

Certificate registration No. 16.222.900



In Prague on 04.09.2024

Customers - References



Implemented Applications

Technically complex parts



Visible exterior and interior parts



2K and 3K parts



Implemented Applications

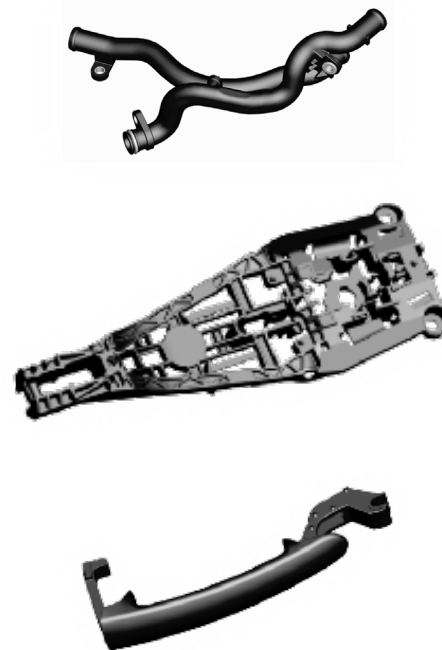
Overmoulding



High-temperature moulds – the application of PPS and PPA materials, up to 60 % GF resin:



GIT and Mucell technologies



Implemented Applications

Welded parts



Powertrain and cooling-system parts



Replacing metal machined parts with plastic parts



Mounted parts



Ing. Petr Kuchař

Commercial Director and
Chairman of the Board
Email: kuchar@czskd.cz
Tel.: +420 774 896 535

Ing. Radek Slavík

Sales representative
Email: slavik@czskd.cz
Tel.: +420 734 799 909

Ing. Martin Kodet

Sales representative
Email: kodet@czskd.cz
Tel.: +420 777 840 350

Roberto Frignani

Sales representative for the German market
Email: frignani@czskd.cz
Tel.: +49 172 664 11 47



FOLLOW US:

[FACEBOOK](#)

[LINKEDIN](#)



EMAIL:

info@czskd.cz

invoice@czskd.cz



ADDRESS:

Husova 549
68771 Bojkovice
Czech Republic



THANK YOU FOR YOUR ATTENTION

